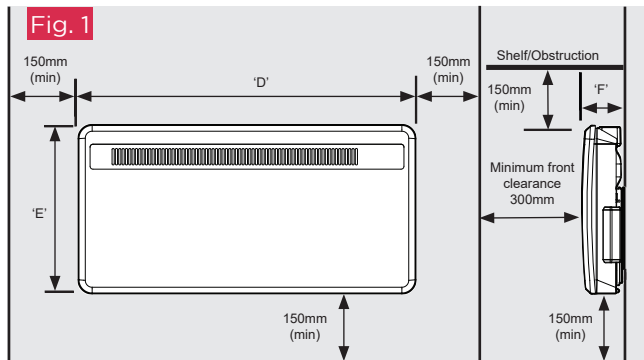


Dimensions

MODEL	A	B	C	D	E	F
LST050E	272mm	406mm	312mm	690mm	430mm	108mm
LST075E	272mm	406mm	312mm	690mm	430mm	108mm
LST100E	272mm	406mm	312mm	690mm	430mm	108mm
LST150E	272mm	504mm	328mm	860mm	430mm	108mm



THESE INSTRUCTIONS SHOULD BE READ CAREFULLY AND RETAINED FOR FUTURE REFERENCE

IMPORTANT SAFETY ADVICE

When using electrical appliances, basic precautions should always be followed to reduce the risk of fire, electrical shock, and injury to persons, including the following:

IMPORTANT: The wall bracket supplied with the appliance must be used.

WARNING: Do not use this heater in the immediate surroundings of a bath, a shower or a swimming pool.

IMPORTANT: If the heater is installed in a room containing a bath or shower, it must be so installed that switches and other controls cannot be touched by a person using a bath or shower.

WARNING: In order to avoid overheating, do not cover the heater. Do not place material or garments on the heater, or obstruct the air circulation around the heater, for instance by curtains or furniture, as this could cause overheating and a fire risk.

NEVER cover or obstruct in any way the heat outlet slots at the top of the heater or the air inlet slots in the base of the heater.

CAUTION: Some parts of this product can become very hot and cause burns. Particular attention has to be given where children and vulnerable people are present.

This appliance can be used by children aged from 8 years and above and by persons with reduced physical, sensory or mental capabilities or lack of experience and knowledge if they have been given supervision or instruction concerning use of the appliance in a safe way and understand the hazards involved.

Cleaning and user maintenance shall not be carried out by children without supervision.

Children of less than 3 years should be kept away unless continuously supervised.

Children aged from 3 years and less than 8 years shall only switch on/off the appliance provided that it has been placed or installed in its intended normal operating position and they have been given supervision or instruction concerning use of the appliance in a safe way and understand the hazards involved.

Children aged from 3 years and less than 8 years shall not plug in, regulate and clean the appliance or perform user maintenance.

Note that due care and consideration must be taken when using this heater in series with a thermal control, a program controller, a timer or any other device that switches on the heat automatically, since a fire risk exists when the heater is accidentally covered or displaced.

If the supply cord is damaged it must be replaced by the manufacturer or service agent or a similarly qualified person in order to avoid a hazard

WARNING: Servicing and product repairs should only be undertaken by the manufacturer's approved service agent or a similarly qualified person, using only exact manufacturer approved spare parts.

IMPORTANT: The supply circuit to the heater must incorporate a double pole isolating switch having a contact separation of at least 3mm.

This product contains a replaceable battery.

WARNING: KEEP BATTERIES OUT OF REACH OF CHILDREN.

WARNING: Packaging should be disposed of responsibly as it could be a potential choking hazard for children.

WARNING: Do not locate the heater immediately below a fixed socket outlet or connection box.



This guide is for quick reference only
To view the full manual, please scan this QR code using your smartphone or visit the product page at www.dimplex.co.uk

Energy Related Product Directive

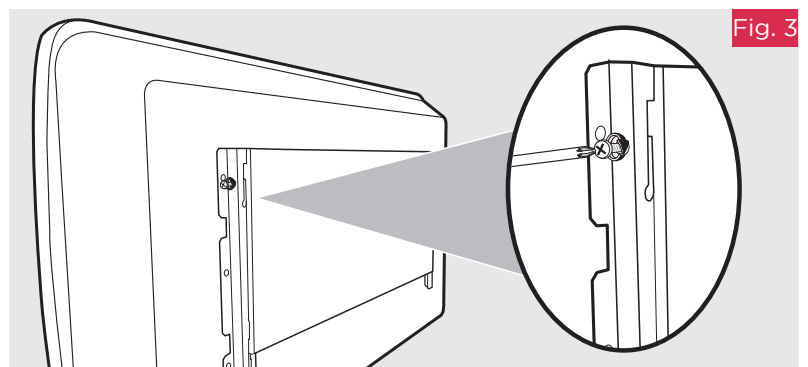
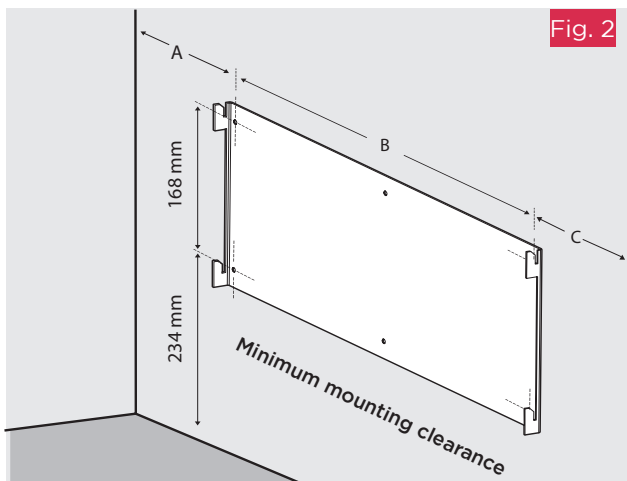
Model Identifier(s):		LST050E	LST075E	LST100E	LST150E
Heat Output					
Nominal heat output	P _{nom}	0.50kW	0.75kW	1.00kW	1.50kW
Minimum heat output (indicative)	P _{min}	N.A	N.A	N.A	N.A
Maximum heat output	P _{max,c}	0.50kW	0.75kW	1.00kW	1.50kW
Auxiliary electricity consumption					
At nominal heat output	e _{lmax}	0.001	0.001	0.001	0.001
At minimum heat output	e _{lmin}	0.001	0.001	0.001	0.001
In standby mode	e _{lSB}	0.001	0.001	0.001	0.001
Type of heat output / room temperature control					
Electronic heat charge control with room and / or outdoor temperature feedback				Yes	
Other control options					
Room temperature control, with open window detection				Yes	
With adaptive start control				Yes	

General Information

The heater is designed for wall mounting using the wall bracket supplied. It should only be operated when in the upright position as shown - see Fig. 1. All models are splash proof to IP24. Before connecting the heater check that the supply voltage is the same as that stated on the heater.

Wall Mounting

IMPORTANT The wall bracket supplied with the heater must be used and the heater must be installed in the correct orientation. The fixings should be used to secure the bracket to the particular wall on which the heater will be installed. The heater should be positioned observing the minimum clearances stated around the heater - see Fig. 1.



To mount the heater to the wall:

1. Remove wall mounting plate from the back of the heater by removing the M4x20 screw with a Pozi Head No.2 screwdriver see Fig 3
2. Fix the wall bracket securely to the wall through the four screw holes provided referring to dimensions in Fig. 1, Fig. 2.
3. Present the heater to the wall bracket and engage bottom slots in the back with bracket hooks.
4. Position the top slots onto the top hooks and slide the heater downwards until the slots come to a positive stop.
5. Re-insert the M4x20 screw in the M4 clinch nut on the wall bracket. This secures the heater to the wall plate.



WARNING:

This product is heavy and care should be taken in installation

IMPORTANT:

During initial heat-up, some odour may be emitted due to the newness of materials used in manufacture. This is normal and will disappear after a short period of use. It is however advisable to keep the room well ventilated

Quick Start Guide



IMPORTANT: Please register your product without delay. Simply scan this QR code using your smartphone, or go to <https://www.dimplex.co.uk/register>.

How does the heater control work?

The control allows you to choose when you want heat and at what temperature. When using a timer mode (see below), Heating ON will display on the home screen to tell you when the heater is maintaining the temperature displayed. Heating OFF will display when the heater is outside of a timed heating period. When Manual, Eco or Frost modes are being used the heater will always maintain the temperature shown on the home screen.

Set the Time

To set the date and time on the heater, press Menu, then press Enter with Time / Date highlighted. Press the up or down buttons until the correct value is shown, then press Enter to confirm and move on to the next value. Repeat until all details are correct, and Set displays, then press Back. The time is automatically adjusted in spring and autumn between Greenwich Mean Time (GMT) and British Summer Time (BST).

Set the Temperature

The temperature shown on the display is the room temperature set point (target room temperature). This is the temperature that the heater will maintain during the heating periods. If the room temperature is above this temperature then the heater will not operate. The heater leaves the factory with this temperature set at 21°C which represents a typical, comfortable room temperature. If you require a different room temperature then press either up or down until the display shows the temperature you require.

Timer Modes

Timer Modes offer the most efficient mode of operation for a predictable heat demand. Each timer is broken down into 4 definable 'Heating On' time periods and temperatures per day, for each day of the week. Each day consists of a 24-Hour period, starting and finishing at midnight. 'Heating On' periods are times when the heater is trying to achieve and maintain the target room temperature. To choose a timer mode, press Menu from the home screen. Use the arrow keys to highlight 'Modes', then press Enter to select. 'Timer Mode' should be highlighted, press Enter to select. A list of Timer Modes will be shown. Their default settings are shown in the table below.

	Period 1		Period 2		Period 3		Period 4	
User Timer	06:30 - 09:30	21	11:00 - 13:00	21	15:00 - 17:00	21	18:00 - 22:00	21
Home All Day	08:00 - 21:00	21						
Out All Day	07:00 - 08:30	21	17:30 - 22:00	21				
Away Mode	Away Mode does not operate in the same way as the other Timers. See 'Away Mode'.							

Away Mode

Away Mode temporarily overrides the active mode before returning the Heater back to the previously active mode. This is handy if you are temporarily away at the shops or on holiday and want your heating to resume as normal operation automatically when you return. While active, Away Mode can maintain a minimum room temperature. By default, this is set to 7 °C (frost protection temperature). This can be modified when Away mode is activated.

Child Lock

If you need to lock the controls so that the settings cannot be changed then activate the Child Lock. To lock the controls press and hold both the Back button and Enter for three seconds. Child Lock will appear at the bottom of the screen. To unlock the control repeat the action by pressing both the Back button and Enter for three seconds.

Advance

The Advance button is only used when a Timer Mode is active and allows the timer schedule to be changed temporarily. This button allows a Heating ON period to begin or end early. This is useful if you are at home when you had not planned to be, or need to leave when you had planned to have the heating on.

If the heater displays Heating OFF and heat is required, press the Advance button. If the heater is in Heating ON and heat is not required, press the Advance button and the heater will stop heating until the beginning of the next Heating ON period.

Dimplex Control

This product is Dimplex Control capable * **.

Control and monitor your heating and hot water with Dimplex Control. Group heaters into zones to easily control and track their energy usage. Any time. Anywhere

Search for Dimplex Control on your device's app store.



NOTE:

Since the product has a blower to force the heat convection, it may have a higher noise compared to the panel heaters that does not have a blower. This is normal for these type of products.

*Requires additional hardware. Sold separately. Visit [Dimplex.co.uk](https://www.dimplex.co.uk) for more information.

**A Dimplex Hub and RFM are required for this product to connect to Dimplex Control.

Your Guarantee



To view the full guarantee terms and conditions scan this QR code using your smartphone or go to <https://www.gdhv.co.uk/guarantee-terms-and-conditions>.

Your Product is manufactured by Glen Dimplex UK operating as Glen Dimplex Heating & Ventilation. GDHV designs and manufactures products to ensure they deliver reliable service for normal use in domestic dwellings and, where specified by us, in light commercial premises.

GDHV products are individually tested before leaving the factory, Your product comes with a 2 year parts and labour guarantee for repair or replacement of faulty goods and/or partial refund in the event that a repair or replacement is not available.

Your guarantee is provided by Glen Dimplex UK Ltd operating as Glen Dimplex Heating & Ventilation Ltd, Millbrook House, Grange Drive, Southampton SO30 2DF. Terms and conditions apply.

The GDHV guarantee does not in any way diminish or affect your statutory consumer rights in connection with your product.



If you experience a problem with your product during or after the guarantee period, visit our online help centre:

support.dimplex.co.uk

Please note for support you will need the model and serial number of your product and a description of the fault which has occurred.



Important: For electrical products sold within the European Community. At the end of the electrical products useful life it should not be disposed of with household waste. Please recycle where facilities exist. Check with a Local Authority or retailer for recycling advice in your country. Batteries should be disposed of or recycled in accordance with WEEE Directive 2012/19/EU. Packaging should be recycled where possible.

www.dimplex.co.uk

Dimplex[®]

Glen Dimplex Heating and Ventilation
Millbrook House, Grange Drive, Hedge End, Southampton, SO30 2DF

Glen Dimplex Europe, Airport Road, Cloghran, Co. Dublin K67 VE08



© Glen Dimplex. All rights reserved. Material contained in this publication may not be reproduced in whole or in part, without prior permission in writing of Glen Dimplex.