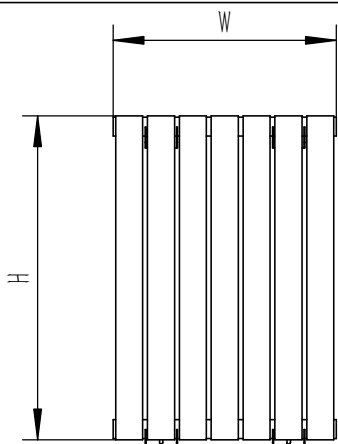
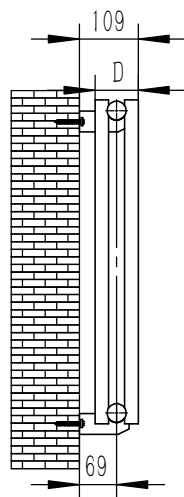


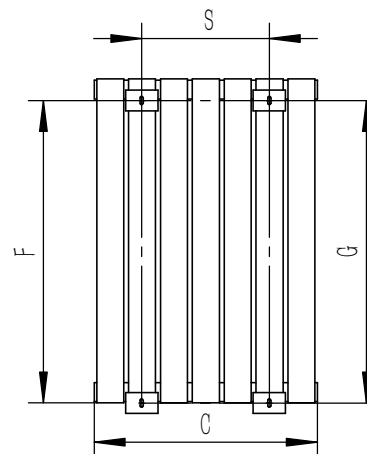
FLOX



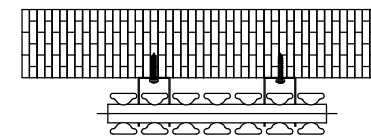
FRONT VIEW



SIDE VIEW

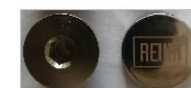


BACK VIEW



TOP VIEW

SUPPLIED INSTALLATION ACCESSORIES



BLANKING PLUG 1PCS WALL PLUG 4PCS



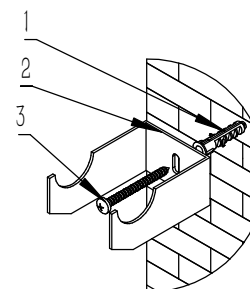
POLISHING CLOTH (Brush) 1PCS



AIR VENT 1PCS



SCREW 4PCS



BRACKET 4PCS



SPACER 8PCS

- Vertical Mounting
- Optional 304 QUALITY STAINLESS STEEL RADIATOR (RNS-FTX060041DP:FLOX RADIATOR)
- POLISHED
- MAX Operational Pressure: 10Bar
- Inlet/Outlet: 1/2"Female Pipe Thread
- All Dimensions are in mm

Product Name	Product Code	Height	Width	Thick Ness	Plumbing Axes Center to Center	Hanger Axes Horizontal	Hanger To Bottom of the Product	Hanger Axes Vertical	Water Volume	Empty Weight
		H mm	W mm	D mm	C mm	S mm	F mm	G mm	L	kg
FLOX	RNS-FTX060041DP	600	413	77	413	236	560	560	6.26	8.7
FLOX	RNS-FTX060059DP	600	590	77	590	413	560	560	8.94	12.4
FLOX	RNS-FTX060082DP	600	826	77	826	649	560	560	12.52	13.4
FLOX	RNS-FTX060100DP	600	1003	77	1003	826	560	560	15.20	21.1
FLOX	RNS-FTX060118DP	600	1180	77	1180	1003	560	560	17.88	24.8
FLOX	RNS-FTX180029DP	1800	295	77	295	118	1760	1760	12.40	17.6
FLOX	RNS-FTX180035DP	1800	354	77	354	177	1760	1760	14.88	21.1
FLOX	RNS-FTX180041DP	1800	413	77	413	236	1760	1760	17.36	24.7
FLOX	RNS-FTX180047DP	1800	472	77	472	295	1760	1760	19.84	28.2
FLOX	RNS-FTX180053DP	1800	531	77	531	354	1760	1760	22.32	31.8

