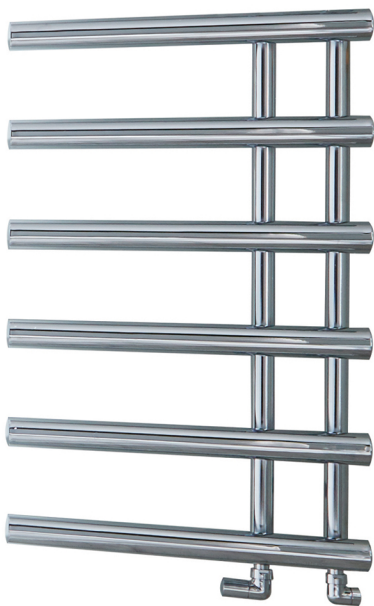


795X500MM



1245X500M



Radiator Specification

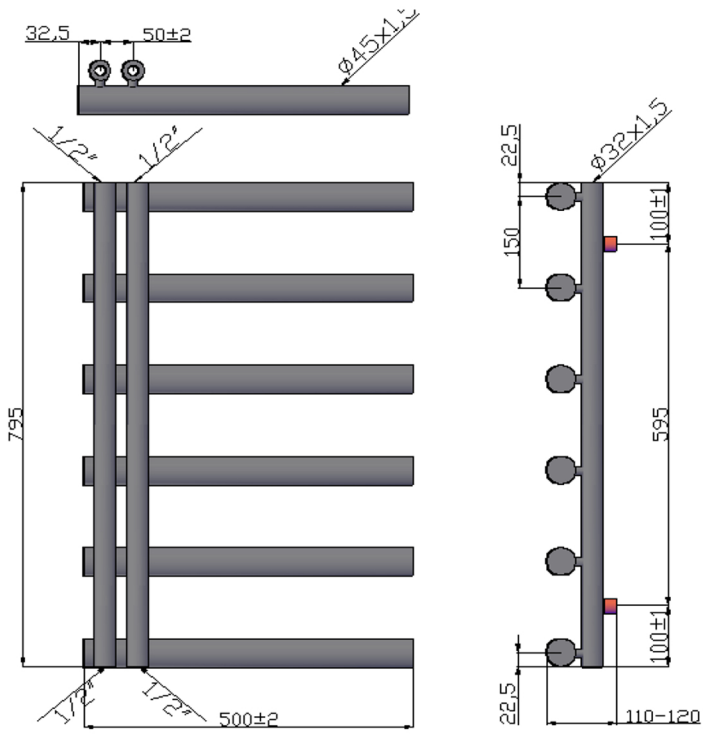
- Material: Steel
- Warranty: 10 Year Manufacture
- Product tested in accordance with EN442
- Connections: ½"
- Max working pressure: 10 bar

Features and Benefits

- Available in a range of contemporary colours
- Suitable for any central heating system
- Multiple towel space provides a busy bathroom with the perfect storage solution
- Available in dual fuel option

Product Code New	Product name	Finish	Height (mm)	Length (mm)	Depth (mm)	Pipe Centres	Output (Watts)	Output (BTUs)																	
127003	Mayfair Towel Rail	Chrome	795	500	110-120	50+2	227	775																	
127004	Mayfair Towel Rail	Chrome	1245	110-120	50+2	333	1136	120874	Mayfair Towel Rail	Anthracite	795	500	110-120	50+2	341	1163	120875	Mayfair Towel Rail	Anthracite	1245	500	110-120	50+2	501	1709
120874	Mayfair Towel Rail	Anthracite	795	500	110-120	50+2	341	1163																	
120875	Mayfair Towel Rail	Anthracite	1245	500	110-120	50+2	501	1709																	

795X500MM



1245X500MM

