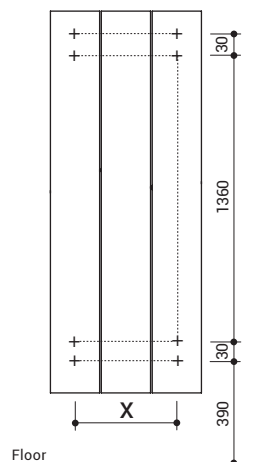


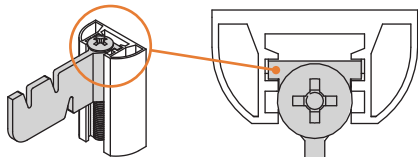
Palaos installation guide

1- Drill the wall following the measures for the holes depending on the model purchased:



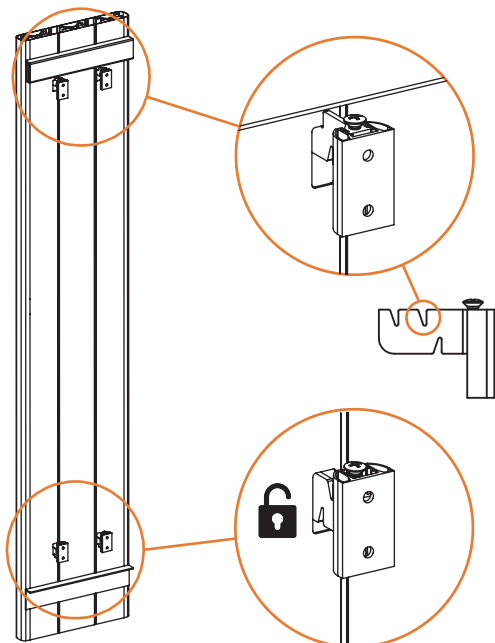
MODEL	x (mm)
1000 W	43
1500 W	163
2000 W	283

3- Insert the upper wall brackets (D) with the hook facing upwards into the bracket guide (C) (second position):

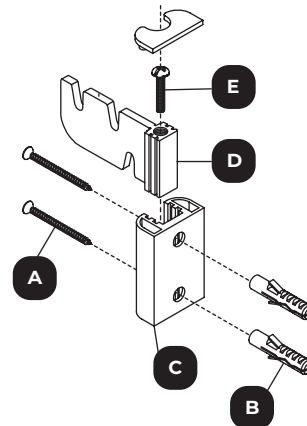


5- Mount the radiator on the upper brackets. The metal sheet has to fit into the second gap of the hook.

At the moment the radiator is only hold by the upper brackets, the hooks of the lower brackets enter the radiator but do not secure its position.

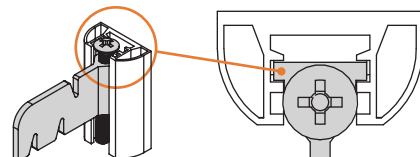


2- After inserting the wall plugs into the wall (B), install the bracket guides (C) on the wall by fixing them with the screws (A):



4- Insert the lower wall brackets (D) with the hook facing downwards into the bracket guide (C) (second position).

At this moment keep the hook in the middle of the bracket guide:



6- Now it is time to secure the lower brackets. Use a screwdriver to turn the screw (E) and the lower hook (D) will move down to hold the sheet metal in the second gap of the hole:

