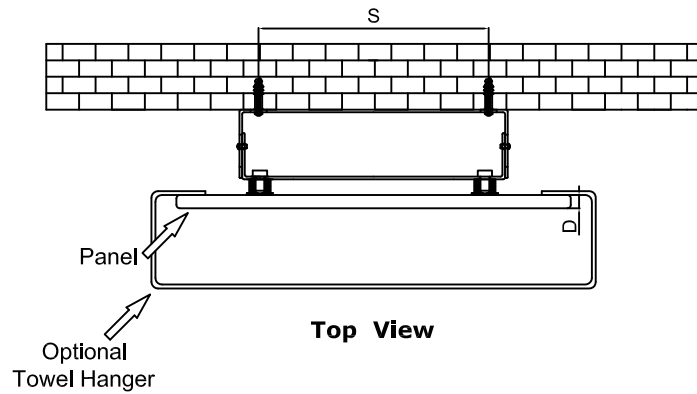
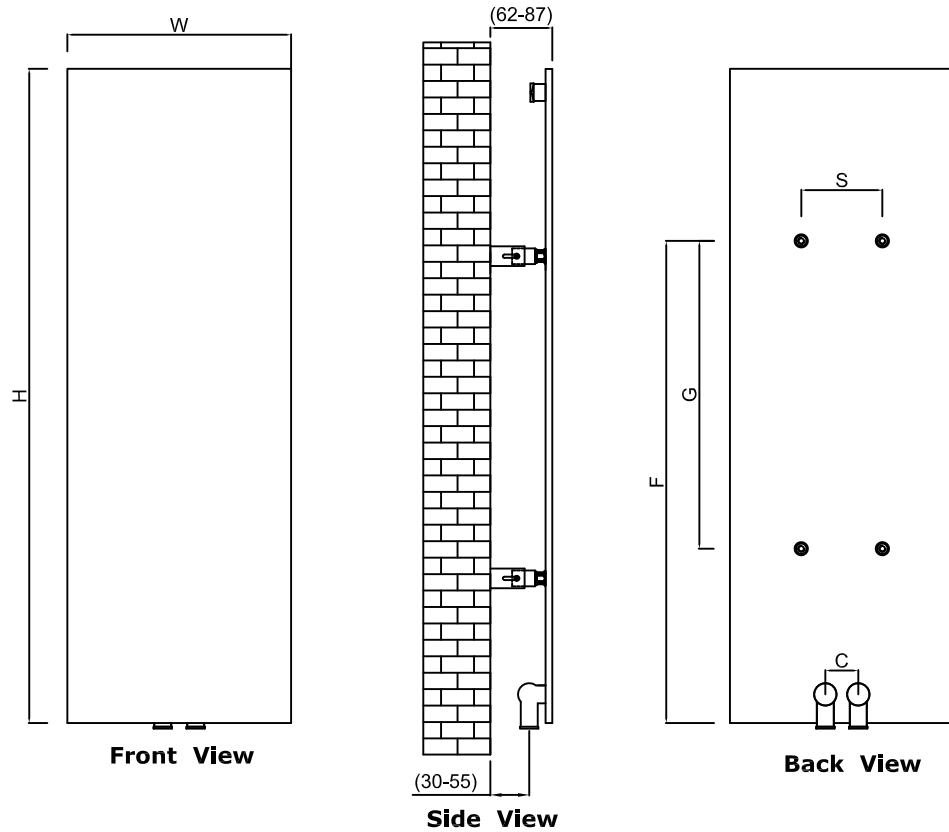
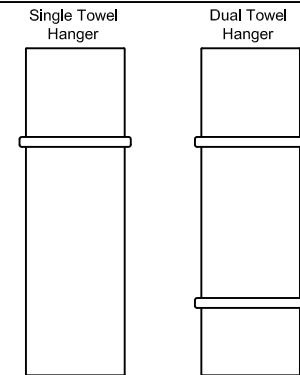


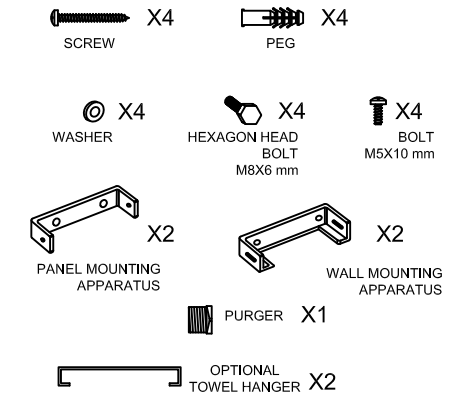
SLIMLINE - 400



TOWEL HANGER OPTIONS



SUPPLIED INSTALLATION ACCESSORIES



-Vertical Mounting
 -Optional Chromium Coated Towel Hanger:
 (RND-SLNTR04S : SLIMLINE RADIATOR CHROME 400 TOWEL BAR)
 -Optional Ral Color Selection
 -Max Operational Pressure: 6 Bar
 -Inlet/Outlet: 1/2" Female Pipe Thread
 -All Dimensions are in mm

Product Name	Product Code	Height	Width	Thickness	Plumbing Axes Center to Center	Hanger Axes Horizontal	Hanger to Bottom of the Product	Hanger Axes Vertical	Water Volume	Empty Weight	Thermal Output Watt - BTU/hr (Δ50°)
		H	W	D	C	S	F	G	-	-	
		mm	mm	mm	mm	mm	mm	mm	L	kg	
SLIMLINE 1170 X 400	RND-SLN11704	1170	400	13	50	175	877	600	1.3	11.4	616 - 2101
SLIMLINE 1470 X 400	RND-SLN14704	1470	400	13	50	175	1117	720	1.6	14.1	774 - 2640
SLIMLINE 1770 X 400	RND-SLN17704	1770	400	13	50	175	1357	840	1.9	16.9	932 - 3178

