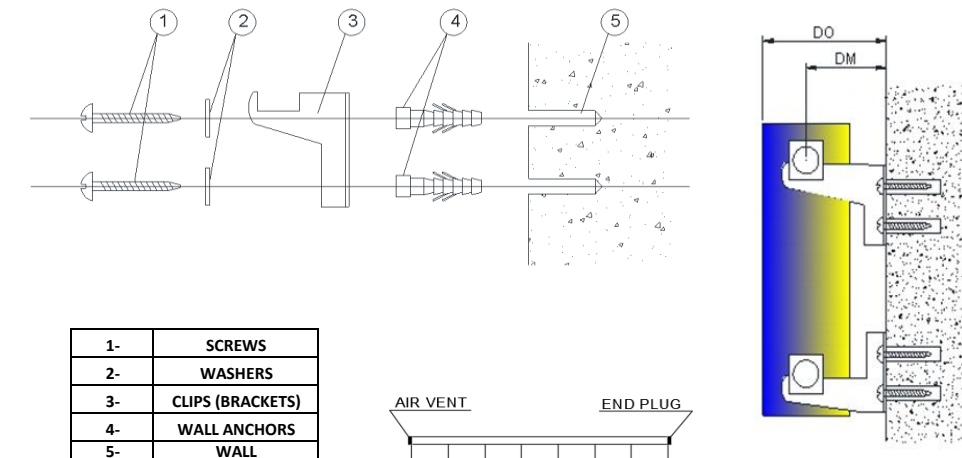


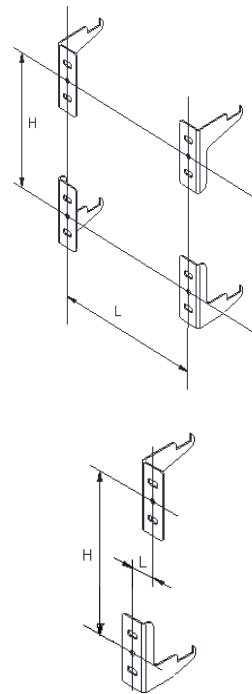
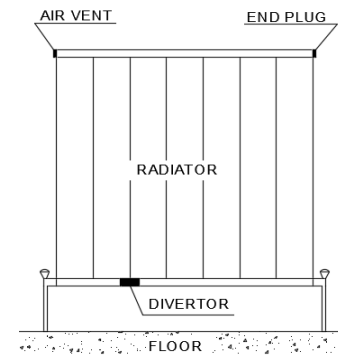
WAVE (SINGLE/DOUBLE) INSTALLATION GUIDE

This product must be fitted only by a fully qualified installer.

DESCRIPTION	DESCRIPTION	ILLUSTRATION
	Fixing choose the appropriate fixing for the wall material if required	
<p>RADIATOR x 1</p>	PTFE tape	
	Electric drill	
	Masonry drill bit appropriate to the fixings	
	Adjustable spanner	
	Radiator valve hex key	
<p>TOP - RIGHT CLIPS x 1</p>	Flat head and philips head screw drivers	
<p>TOP - LEFT CLIPS x 1</p>		
<p>BOTTOM - RIGHT CLIPS x 1</p>	1 lock shield valve and 1 gate or thermostatic valve	
<p>BOTTOM - LEFT CLIPS x 1</p>		
<p>END PLUG x 1</p>	Spirit level	
<p>FIXING SCREWS x 8 WASHERS x 8</p>		
<p>AIR VENT x 1</p>	Measuring tape	
<p>WALL ANCHORS x 8 GASKETS x 4</p>		



1-	SCREWS
2-	WASHERS
3-	CLIPS (BRACKETS)
4-	WALL ANCHORS
5-	WALL



NAMES	A	B	C	TUBE (QTY)	DM	DO	H	L
WAVE (SINGLE)	600	412	545	4	34	78	480	151
WAVE (SINGLE)	600	620	545	6	34	78	480	359
WAVE (SINGLE)	600	828	545	8	34	78	480	567
WAVE (SINGLE)	600	1036	545	10	34	78	480	775
WAVE (SINGLE)	600	1244	545	12	34	78	480	983
WAVE (SINGLE)	600	1452	545	14	34	78	480	1191
WAVE (SINGLE)	1800	412	1745	4	34	78	1680	151
WAVE (DOUBLE)	600	412	545	8	68	112	480	151
WAVE (DOUBLE)	600	620	545	12	68	112	480	359
WAVE (DOUBLE)	600	828	545	16	68	112	480	567
WAVE (DOUBLE)	600	1036	545	20	68	112	480	775
WAVE (DOUBLE)	600	1244	545	24	68	112	480	983
WAVE (DOUBLE)	600	1452	545	28	68	112	480	1191
WAVE (DOUBLE)	1800	412	1745	8	68	112	1680	151

NAMES	A	B	C	TUBE (QTY)	DM	DO	H	L
WAVE (SINGLE)	1800	204	1745	2	34	78	1680	40
WAVE (DOUBLE)	1800	204	1745	4	68	112	1680	40

GENERAL RECOMMENDATION

- Before fitting the radiator it is necessary to wash out the heating system to remove any existing mud, scale, work residues, traces of flux, oil, etc.
- When the system water pH is outside the 5,5-8,5 range and/or when the dissolved is above 0,1mg/liter, it is always needed to protect the heating system components (the radiator is one of these) with a proper chemical treatment compatible with all parts in contact with water (silicon rubber too).
- In order to fit the radiator to the wall, it is necessary to choose the proper fixings for the wall material.
- If the system water exceeds 50°C, please install a warning mark near the radiator to avoid any accidental scalding.
- Clean the radiator surface only with a soft cloth to avoid scratching the finish and do not use chemical agents during cleaning operations. It is prohibited to climb on the radiator.
- Maximum working temperature 95°C, maximum working pressure 4 bar.