

SN0 5 Plus GB / SN0 10 Plus GB

Small water heater (non-pressurised)

2



Table of contents

1	Special information	3
2	General information	3
2.1	Test mark	3
2.2	Units of measurement	3
2.3	Symbols in this document	3
3	Safety	3
3.1	Intended use	3
3.2	Structure of the warning notices	3
3.3	Safety instructions	4
4	Appliance description	4
4.1	Function	4
4.2	Standard delivery	4
4.3	Required accessories	4
5	Installation (qualified contractors)	4
5.1	Installation site	4
5.2	Appliance installation	5
5.3	Water connection	5
6	Commissioning (qualified contractors)	5
6.1	Filling the appliance with water	5
6.2	Electrical connection	5
6.3	Setting a permanent temperature limit	6
7	Operation	6
8	Cleaning and care	6
9	Maintenance (qualified contractors)	6
9.1	Draining the appliance	6
9.2	Opening the appliance	7
9.3	Descaling the appliance	7
9.4	Checking the earth conductor (DGUV V3)	7
9.5	Replacing the connecting cable	7
9.6	Positioning the temperature sensor in its protective pipe	7
10	Troubleshooting (users)	7
11	Troubleshooting (installers)	8
12	Shutting down the system	8
13	Specification	8
13.1	Dimensions and connections 5 litre appliance ..	8
13.2	Dimensions and connections 10 litre appliance.	8
13.3	Wiring diagram	8
13.4	Energy consumption data	9
13.5	Heat-up diagram	9
13.6	Data table	9
14	Customer service and guarantee	9
15	Environment and recycling	9

1 Special information

- The appliance may be used by children over 3 years of age and persons with reduced physical, sensory or mental capabilities or a lack of experience and expertise, provided that they are supervised or they have been instructed on how to use the appliance safely and have understood the potential risks. Children aged 3 to 8 years may only operate the tap connected to the appliance. Children must never play with the appliance. Cleaning and user maintenance must not be carried out by children without supervision.
- When permanently connected to the power supply using a dedicated junction box, the appliance must be able to be isolated from the mains power supply by an isolator that disconnects all poles with at least 3 mm contact separation.
- The power cable may only be replaced by qualified contractors authorised by the manufacturer. Use the original spare part. Otherwise, you risk damaging the appliance.
- Never connect the appliance via an external switching facility such as a time switch.
- Secure the appliance as described in chapter "Installation / Appliance installation".
- The appliance must only be installed with an open (non-pressurised) tap.
- Never subject the appliance to water pressure.
- The tap outlet has a vent function. Scale build-up can block the outlet and subject the appliance to pressure.
- Never block the tap outlet.
- Only use special aerators for non-pressurised water heaters.
- Never extend the tap outlet with a hose.

2 General information



Read these instructions carefully before using the appliance and retain them for future reference. Pass on these instructions along with the appliance as necessary.

2.1 Test mark

See type plate on the appliance.

2.2 Units of measurement

All measurements are given in mm unless stated otherwise.

2.3 Symbols in this document

Symbol	Meaning
	General information is identified by the adjacent symbol.
	This symbol indicates that you have to do something.

3 Safety

3.1 Intended use

This open vented (non-pressurised) appliance is designed for heating domestic hot water. The appliance can supply one draw-off point. The appliance must only be installed with an open (non-pressurised) tap.

The appliance is intended for domestic use. It can be used safely by untrained persons. The appliance can also be used in non-domestic environments, e.g. in small businesses, as long as it is used in the same way.

Observation of these instructions and of instructions for any accessories used is also part of the intended use of this appliance.

NOTICE



Property damage

The appliance is designed for oversink installation.

- ▶ During installation, the water connections of the appliance must point downwards.

3.2 Structure of the warning notices

3.2.1 Section-specific warning notices

Section-specific warning notices apply to all steps in the section.

Injury

CAUTION



Type and source of risk

Consequence(s) of failure to observe the warning notice

- ▶ Hazard prevention measure(s)

Property damage, consequential losses, environmental pollution

NOTICE



Type and source of risk

Consequence(s) of failure to observe the warning notice




Hazard prevention measure(s)

3.2.2 Embedded warning notices

Embedded warning notices apply only to the subsequent step.

- ▶ **SIGNAL WORD: Consequence(s) of failure to observe the warning notice. Hazard prevention measure(s).** Step to which the warning notice refers

3.2.3 Key to symbols

Symbol	Type of risk
	Injury
	Electrocution
	Burns, scalding

3.2.4 Signal words

Signal word	Meaning
DANGER	Failure to observe this information will result in death or serious injury
WARNING	Failure to observe this information may result in death or serious injury
CAUTION	Failure to observe this information may result in moderate or minor injury
NOTICE	Failure to observe this information may result in property damage, consequential losses or environmental damage

3.3 Safety instructions

- There is a risk of scalding at outlet temperatures in excess of 43 °C.
- The temperature selector should only be removed by a qualified contractor.
- Where children or persons with limited physical, sensory or mental abilities are allowed to use this appliance, we recommend a permanent temperature limit. A qualified contractor can set this limit.

Possible property damage

- Frost can destroy the appliance and the connected tap. Protect the appliance and the tap against frost.
- Never subject the appliance to water pressure. The tap outlet has a vent function. Scale build-up can block the outlet and subject the appliance to pressure.
 - Never block the tap outlet.
 - Only use special aerators for non-pressurised water heaters.
 - Never extend the tap outlet with a tap hose.
- Connecting the appliance via an external switching facility such as a time switch will cause an unintentional reset of the high limit safety cut-out. The appliance must not be connected to a power circuit that is regularly switched on and off by a device.

General information

Only a qualified contractor should carry out installation, commissioning, maintenance and repair of the appliance.

We guarantee trouble-free function and operational reliability only if original accessories and spare parts intended for the appliance are used.

4 Appliance description

4.1 Function

The open vented (non-pressurised) appliance is suitable only for oversink installation. The appliance is intended to heat cold water for supplying a single draw-off point. It must only be used with a non-pressurised tap.

4.2 Standard delivery

The following are delivered with the appliance:

- Wall mounting bracket
- Drilling template (10 litre appliance only)

4.3 Required accessories

A non-pressurised tap must be used for open vented operation of the appliance. Stiebel Eltron offers a wide range of suitable taps.

5 Installation (qualified contractors)

5.1 Installation site

NOTICE



Property damage

The water in the appliance may freeze and damage the cylinder and connections by expansion.

- ▶ Only install the appliance in a room free from the risk of frost.

NOTICE



Property damage

- ▶ Mount the appliance on the wall. The wall must have sufficient load bearing capacity.

NOTICE



Property damage

The appliance is designed for oversink installation.

- ▶ During installation, the water connections of the appliance must point downwards.



Ensure that the appliance is freely accessible for maintenance work.

NOTICE



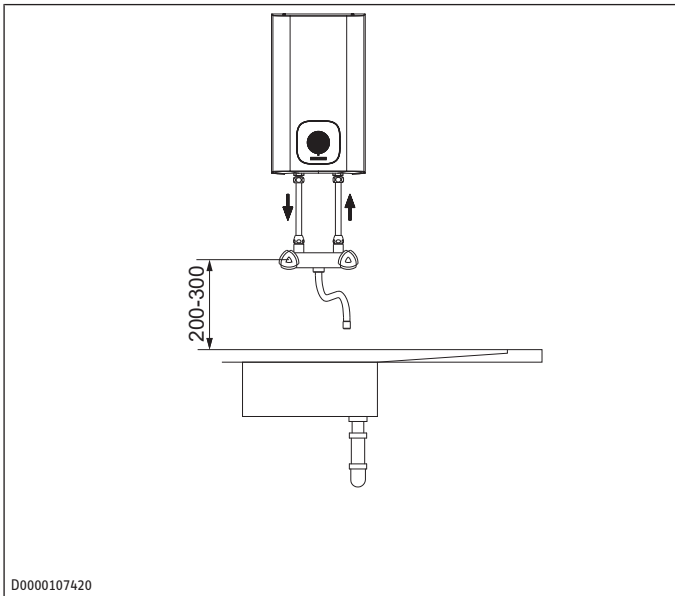
Property damage

Connecting pipe length (from tap to appliance) must not exceed 1 m.

For connection pipes >1 m:

- ▶ Install a tube aerator attachment in the overflow line.

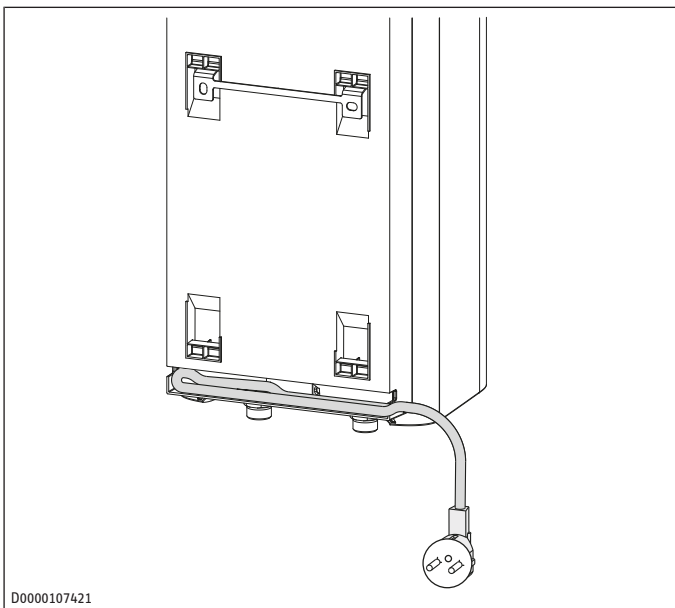
Always install the appliance vertically and near the draw-off point.



D0000107420

5.2 Appliance installation

- ▶ Mark out the holes for drilling using the installation template.
- ▶ Drill the holes and insert suitable rawl plugs.
- ▶ Secure the wall mounting bracket using suitable screws.
- ▶ Hang the appliance on the wall mounting bracket.
- ▶ Surplus connecting cable can be stored in the cable storage compartment.



D0000107421

5.3 Water connection

NOTICE



Property damage

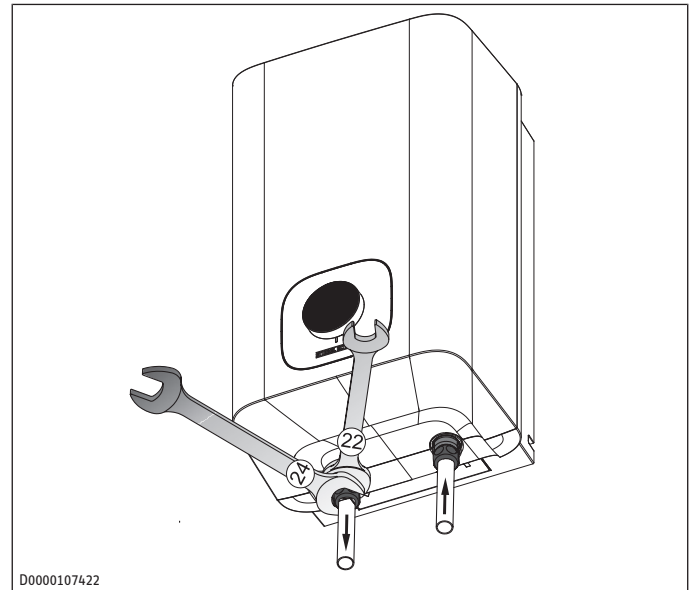
The appliance may develop a leak and cease functioning.

- ▶ Never subject the appliance to water pressure.
- ▶ Never interchange the water connections.
- ▶ Set the flow rate (see tap instructions). Observe the maximum permissible flow rate with a fully opened tap (see chapter "Specification / Data table").

- ▶ Match up the colour coding on the tap water connections and the appliance:

- R.h. side blue = "Cold water inlet"
- L.h. side red = "DHW outlet"

- ▶ Secure the water connections from the tap to the appliance.



D0000107422

NOTICE: When tightening the fittings, counterhold with a suitable spanner.

6 Commissioning (qualified contractors)

NOTICE: Do not connect the power supply until the appliance is completely filled with water!

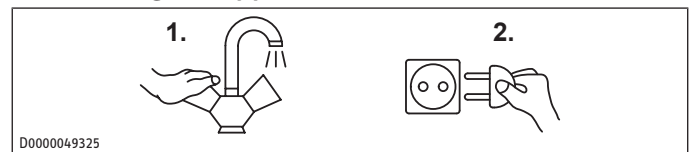
WARNING



Electrocution

Commissioning may only be carried out by a qualified contractor in accordance with safety regulations.

6.1 Filling the appliance with water



D0000049325

- ▶ Open the cold water inlet of the distribution board.
- ▶ Either open the DHW valve of the tap or set the mono lever mixer tap to "hot" until the water that flows out is free of air bubbles. This process may take several minutes.
- ▶ Check the entire hydraulic installation for tightness.

6.2 Electrical connection

WARNING



Electrocution when the appliance is permanently connected to the mains

When permanently connected to the power supply using a dedicated junction box, the appliance must be able to be isolated from the mains power supply by an isolator that disconnects all poles with at least 3 mm contact separation.

WARNING



Electrocution

Ensure that the appliance is connected to the earth conductor.

NOTICE



Overvoltage

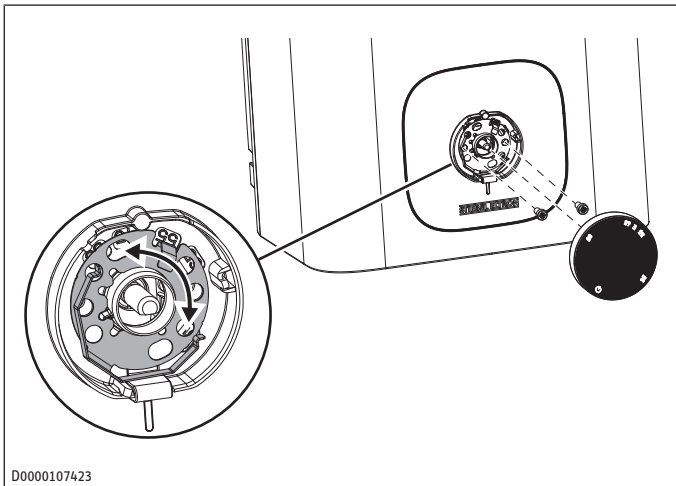
The voltage specified on the type plate must match the mains power supply.

- ▶ Establish the electrical connection by plugging in the standard plug or by a permanent connection.

The following electrical connections are permissible:

	SNO 5 Plus GB	SNO 10 Plus GB
Permanent connection to an appliance socket with earth conductor	X	X

6.3 Setting a permanent temperature limit

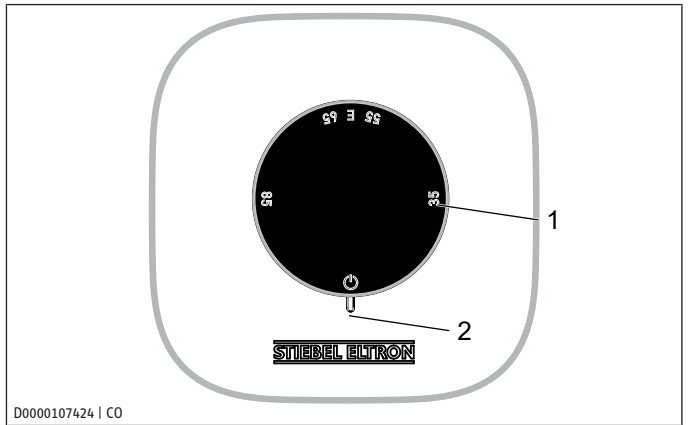


Placing the limiting ring behind the temperature selector allows you to limit the setting range of the temperature selector to a specific maximum temperature.

- ▶ Turn the temperature selector to zero (fully anti-clockwise).
- ▶ Pull off the temperature selector.
- ▶ Undo the two screws securing the limiting ring in the casing.
- ▶ Re-insert the limiting ring with the required temperature limit.
- ▶ Secure the limiting ring in the casing with the screws.
- ▶ Push the temperature selector back on its shaft in the zero position (fully anti-clockwise).

7 Operation

You can set any required hot water outlet temperature variably at the temperature selector (1). During the heating process, the heat-up and index indicator (2) lights up.



D0000107424 | CO

- 1 Temperature selector
- 2 Heat-up and index indicator

Depending on the system, the actual temperatures may vary from the set value.

- ⏻ On this setting, the appliance is protected from frost. The tap and the water line are not protected
- E Recommended energy saving setting ECO (approx. 60 °C), minor scaling
- 85 Highest temperature that can be set

NOTICE: The qualified contractor can set a permanent temperature limit on the appliance.

8 Cleaning and care

Almost every type of water will deposit limescale at high temperatures. Limescale will settle inside the appliance and affect its function and service life. The heating elements must therefore be descaled if necessary. A qualified contractor who is aware of the local water quality will tell you when the next descaling is due.

- ▶ A damp cloth is sufficient for cleaning the appliance. Never use abrasive or corrosive cleaning agents.
- ▶ Check the tap regularly. You can remove limescale deposits at the outlet using commercially available descaling agents.

9 Maintenance (qualified contractors)

WARNING



Electrocution

Before any work on the appliance, disconnect all poles of the appliance from the power supply.

- ▶ Dismantle the appliance for maintenance work.

9.1 Draining the appliance

WARNING



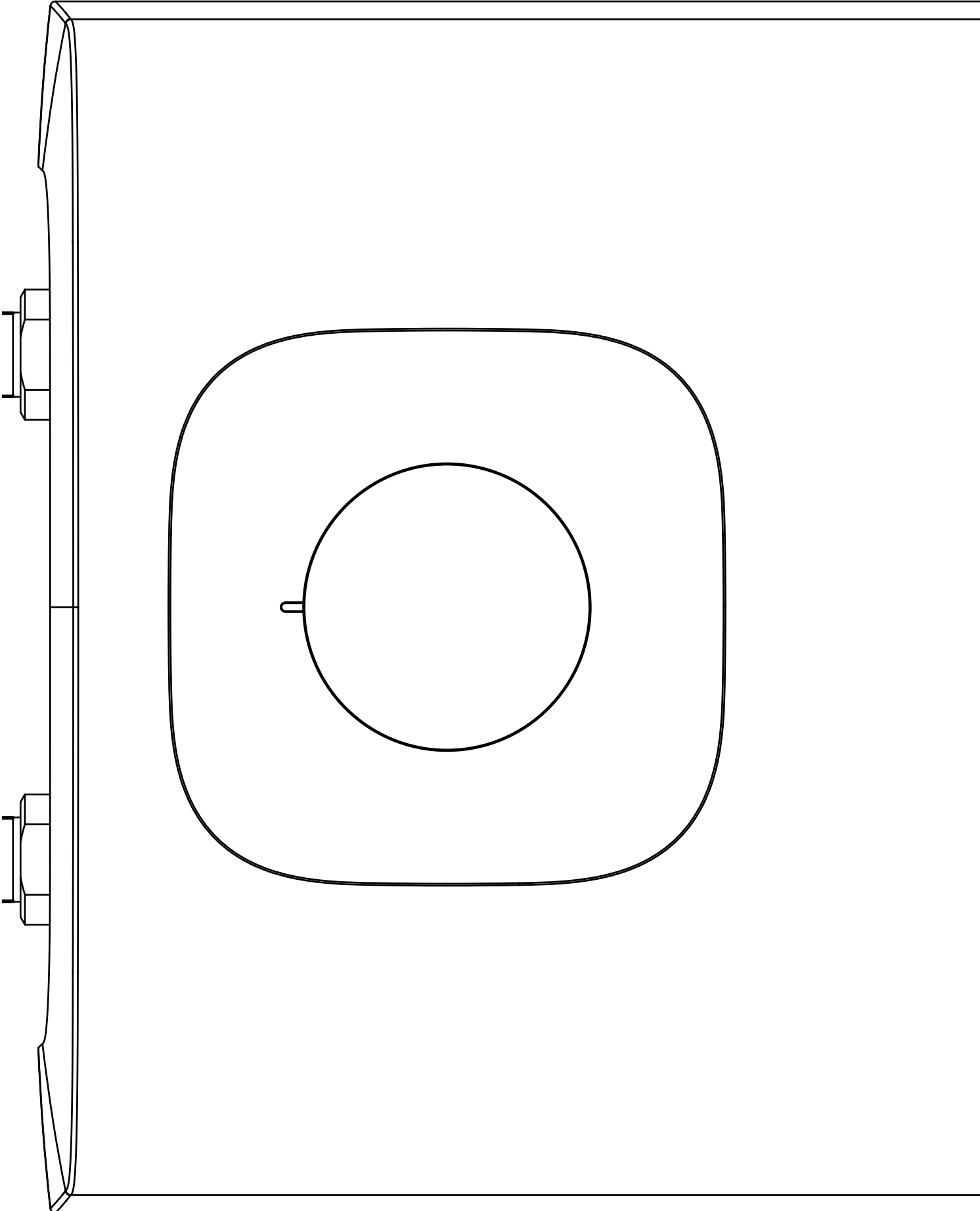
Burns

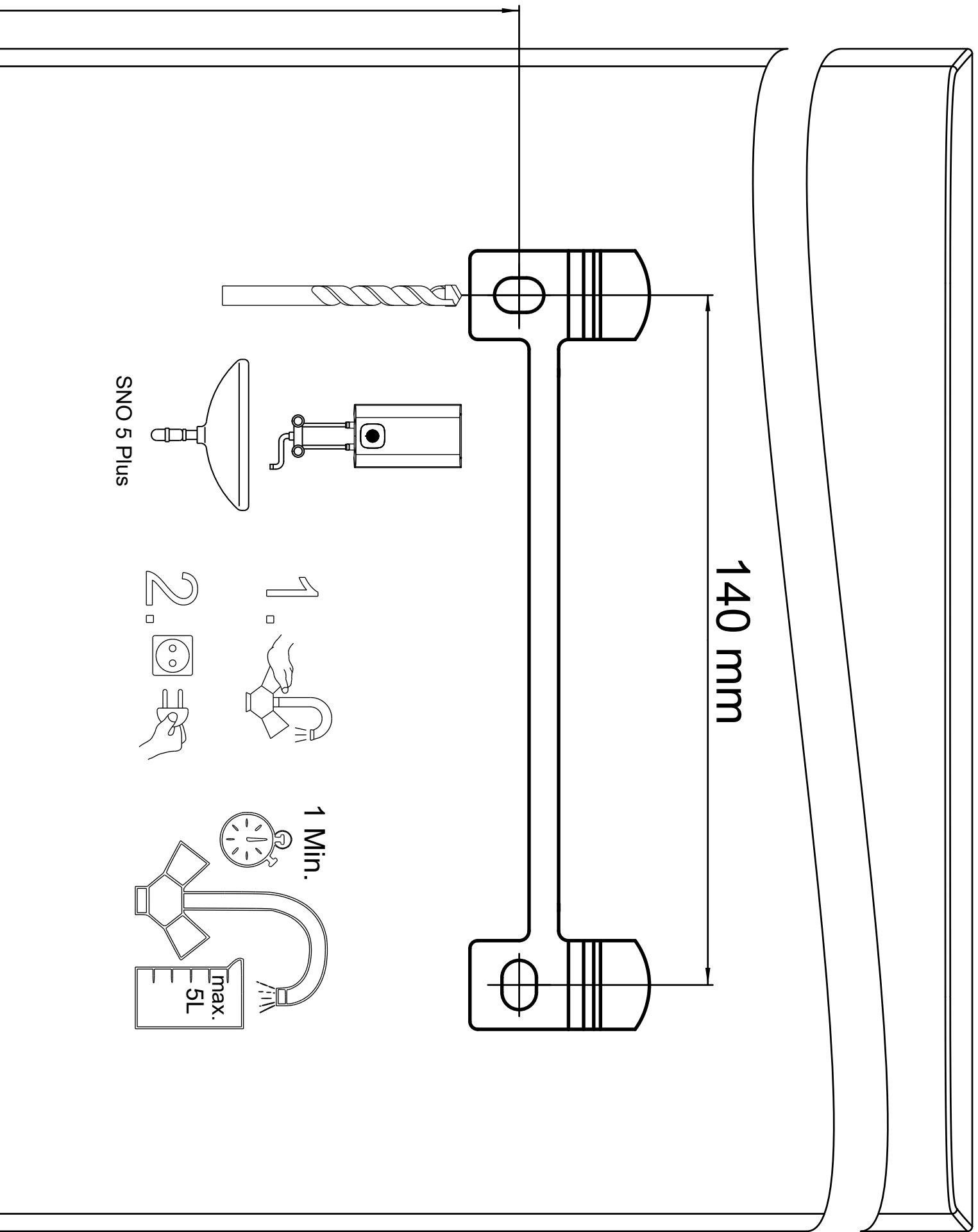
Hot water may escape when draining the appliance.

- ▶ Avoid all contact with escaping water.

- ▶ Isolate the appliance from the power supply.
- ▶ Undo the fittings on the water connections.
- ▶ Remove the appliance from the wall mounting bracket.
- ▶ Allow the appliance to drain into a sink with the water connections pointing downwards.
- ▶ Lightly shake the appliance to aid draining.

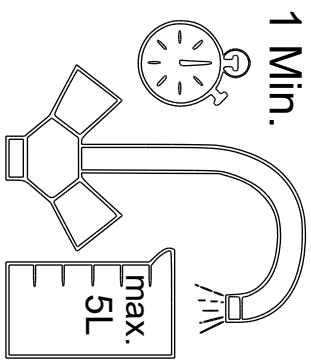
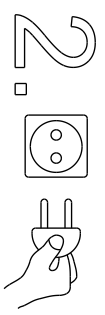
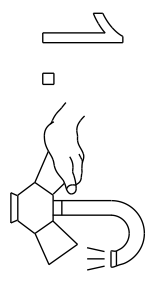
305 mm



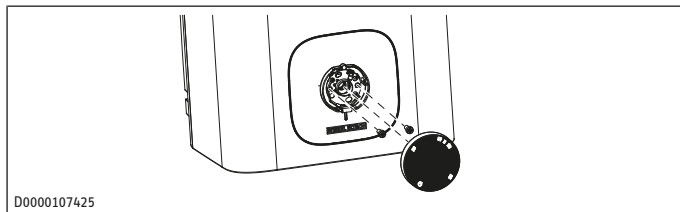


140 mm

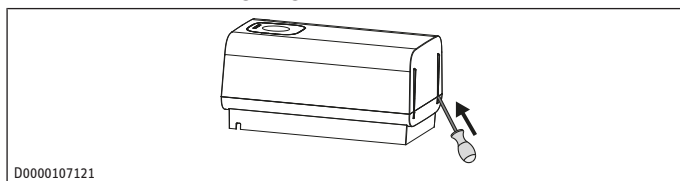
SNO 5 Plus



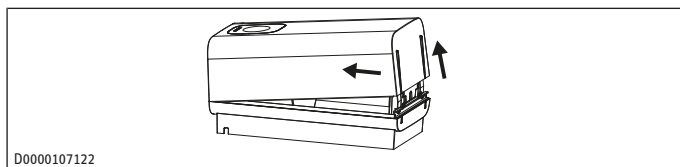
9.2 Opening the appliance



- ▶ Turn the temperature selector anti-clockwise as far as it will go.
- ▶ Pull off the temperature selector.
- ▶ Remove the two screws behind the temperature selector.
- ▶ Pull off the limiting ring.



- ▶ Insert a small screwdriver into the openings at the bottom and carefully lift the appliance cover slightly.



- ▶ Pivot the appliance cover upwards and remove it.
- ▶ Undo the tie (anti-tip protection) – 10 litre appliance only.

9.3 Descaling the appliance

NOTICE: Never treat the cylinder surface with descaling agents as these can damage the plastic.

- ▶ Open the appliance.
- ▶ Remove the flanged immersion heater.
- ▶ Carefully tap the heating element to remove coarse limescale deposits.
- ▶ Immerse the heating element up to the flange plate in descaling agent.
- ▶ Carry out descaling in accordance with the instructions provided by the descaling agent manufacturer.
- ▶ After descaling, flush the heating element with clear water. Reassemble the appliance.

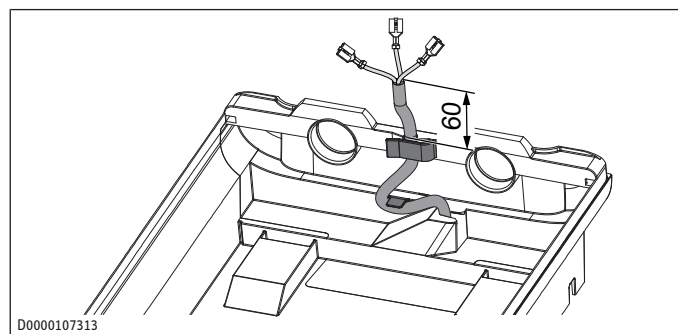
9.4 Checking the earth conductor (DGVU V3)

- ▶ Pull off the temperature selector.
- ▶ Check the earth conductor (in Germany DGVU V3 for example) across a limiting ring fixing screw and the earth conductor contact of the connecting cable.

9.5 Replacing the connecting cable

NOTICE: The connecting cable must only be replaced by a qualified contractor with an original spare part.

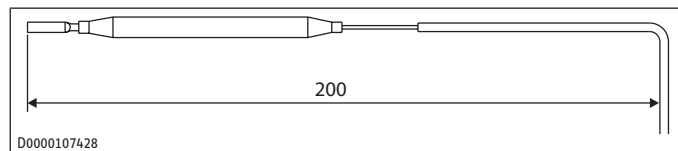
- ▶ Route the connecting cable into the cable guide (5 litre appliance only).



9.6 Positioning the temperature sensor in its protective pipe

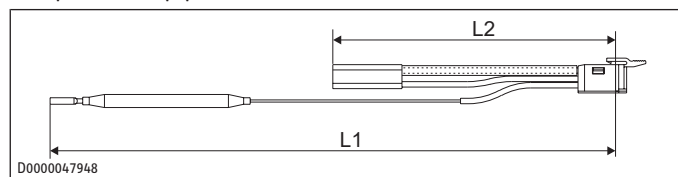
SNO 5 Plus GB

- ▶ When replacing the temperature controller, guide the temperature sensor into its protective pipe.
- ▶ Secure the temperature sensor in place below the earthed plug.



SNO 10 Plus GB

- ▶ When replacing the temperature controller and the high limit safety cut-out, guide the temperature sensors into the protective pipe.



L1	260 mm	Temperature sensor
L2	130 mm	High limit safety cut-out

10 Troubleshooting (users)

Problem	Cause	Remedy
The appliance does not supply hot water.	The temperature selector is rotated anti-clockwise as far as it will go.	Switch the appliance on by turning the temperature selector.
	No voltage at the appliance.	Check the plug/fuses in the distribution board.
Water can only be drawn at a reduced rate.	The aerator in the tap is scaled up.	Descale/replace the aerator.
Loud boiling noises inside the appliance.	The appliance is scaled up.	Have the appliance descaled by a qualified contractor.

- ▶ If you cannot remedy the fault, contact your qualified contractor.
- ▶ To facilitate and speed up your enquiry, please provide the contractor with the number from the type plate (000000-0000-000000).

11 Troubleshooting (installers)

Problem	Cause	Remedy
The appliance does not supply hot water.	The high limit safety cut-out has tripped.	Remedy the cause of the fault. If necessary, replace the temperature controller. Allow the appliance to cool down. If you have isolated the appliance from the power supply, the high limit safety cut-out will be reset automatically.

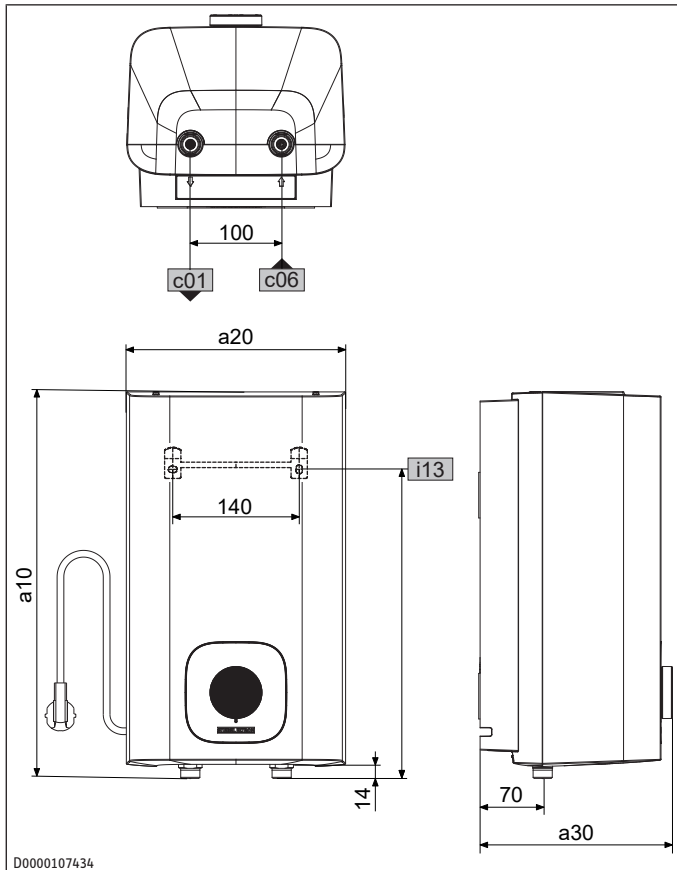
Loud boiling noises inside the appliance. The appliance is scaled up. Descale the appliance.

12 Shutting down the system

- ▶ Isolate the appliance from the power supply by removing the plug or by tripping the MCB in the distribution board.
- ▶ Drain the appliance (see chapter "Maintenance (qualified contractors) / Draining the appliance").

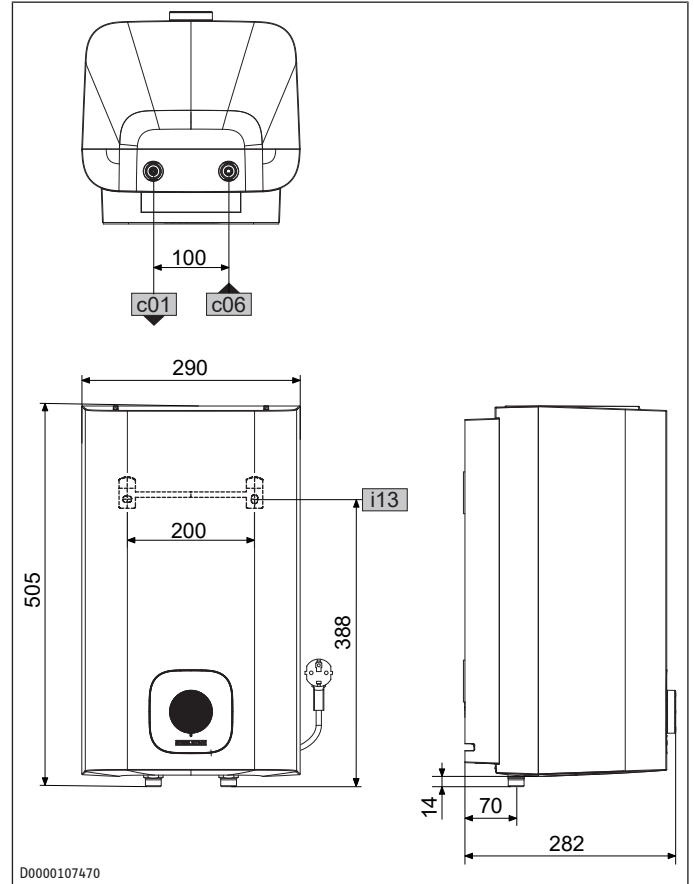
13 Specification

13.1 Dimensions and connections 5 litre appliance



a10	Appliance	Height	mm	423
a20	Appliance	Width	mm	240
a30	Appliance	Depth	mm	212
c01	Cold water inlet	Male thread		G 1/2 A
c06	DHW outlet	Male thread		G 1/2 A
i13	Wall mounting bracket	Height	mm	305
		Horizontal hole spacing	mm	140

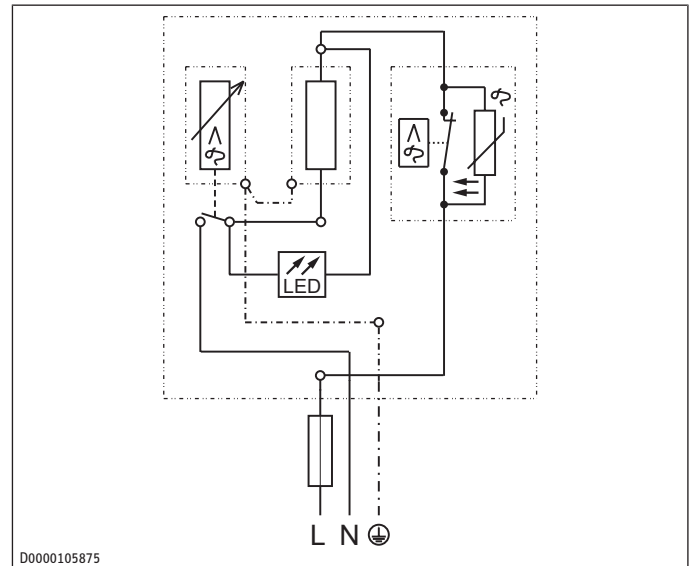
13.2 Dimensions and connections 10 litre appliance



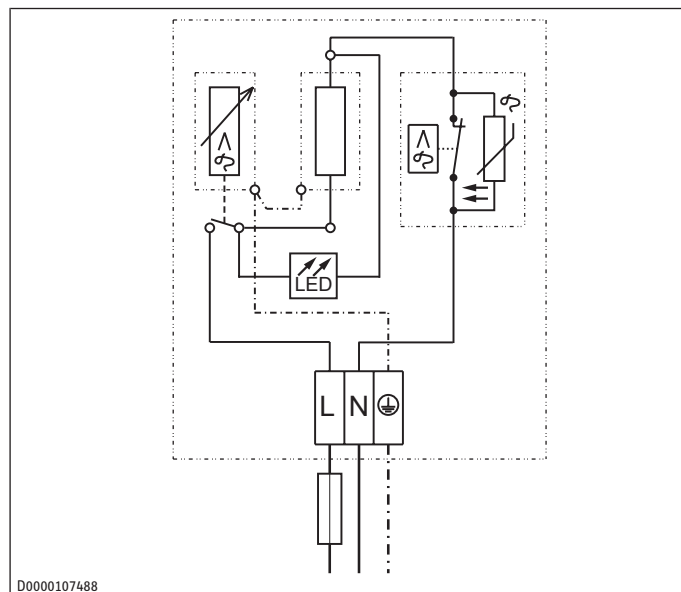
13.3 Wiring diagram

1/N/PE | 220 - 240 V

SNO 5 Plus GB



SNU 10 Plus GB



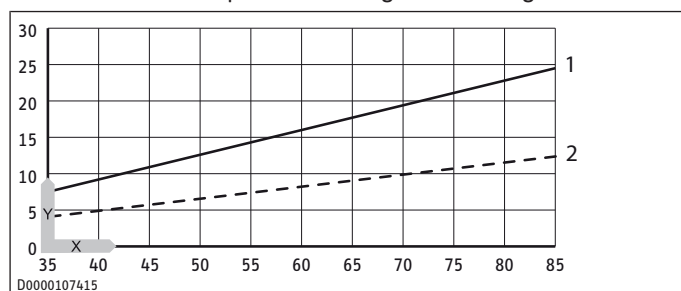
13.4 Energy consumption data

The product data complies with EU regulations relating to the directive on the ecodesign of energy related products (ErP).

	SNO 5 Plus GB	SNO 10 Plus GB
	204979	204984
Manufacturer	STIEBEL ELTRON	STIEBEL ELTRON
Load profile	XXS	XXS
Energy efficiency class	A	A
Energy conversion efficiency %	38	38
Annual power consumption kWh	483	493
Default temperature setting °C	55	55
Sound power level dB(A)	15	15
Daily power consumption kWh	2,23	2,29

13.5 Heat-up diagram

The heat-up period depends on the degree of scaling and residual heat. For the heat-up time for a cold water supply at 10 °C and a maximum temperature setting, see the diagram.



1 SNO 10 Plus (GB)

2 SNO 5 Plus (GB)

Y Heat-up time in minutes

X Temperature in °C

13.6 Data table

	SNO 5 Plus GB	SNO 10 Plus GB
	204979	204984
Hydraulic data		
Nominal capacity l	5	10
Mixed water amount 40 °C (10 °C/65 °C) l	9.2	19

		SNO 5 Plus GB	SNO 10 Plus GB
Electrical data			
Rated voltage 1	V	220	220
Rated voltage 2	V	230	230
Rated voltage 3	V	240	240
Rated output 1	kW	1.8	1.8
Rated output 2	kW	2.0	2.0
Rated output 3	kW	2.2	2.2
Rated current 1	A	8.3	8.3
Rated current 2	A	8.7	8.7
Rated current 3	A	9.1	9.1
Fuse protection 1	A	10	10
Fuse protection 1	A	10	10
Fuse protection 1	A	10	10
Phases		1/N/PE	1/N/PE
Frequency	Hz	50-60	50-60
Application limits			
Temperature setting range	°C	35 - 85 °C	35 - 85 °C
Maximum permissible pressure	MPa	0.0	0.0
Maximum flow rate	l/min	5	10
Energy data			
Standby energy consumption/ 24 h at 65 °C	kWh	0.17	0,27
Energy efficiency class		A	A
Versions			
IP rating	IP	IP 24 D	IP 24 D
Installation type		Oversink	Oversink
Type		Open	Open
Inner cylinder material		Plastic	Plastic
Thermal insulation material		EPS + VIP	EPS
Casing material		Plastic	Plastic
Colour		White	White
Connections			
Water connection		G 1/2 A	G 1/2 A
Dimensions			
Depth	mm	212	282
Height	mm	423	505
Width	mm	240	290
Weights			
Weight	kg	3.0	4.6

14 Customer service and guarantee

The guarantee conditions of our German companies do not apply to appliances acquired outside of Germany. In countries where our subsidiaries sell our products a guarantee can only be issued by those subsidiaries. Such guarantee is only granted if the subsidiary has issued its own terms of guarantee. No other guarantee will be granted.

We shall not provide any guarantee for appliances acquired in countries where we have no subsidiary to sell our products. This will not affect warranties issued by any importers.

15 Environment and recycling

We would ask you to help protect the environment. After use, dispose of the various materials in accordance with national regulations.

Comfort through Technology



4 017213 532927

STIEBEL ELTRON International GmbH
Dr.-Stiebel-Straße 33 / 37603 Holzminden / Germany
info@stiebel-eltron.com / www.stiebel-eltron.com

A 353292-44807-9763