

HERSCHEL MIAMI 2000 Wall or Parasol-mounted Infrared Heaters

INSTALLATION & OPERATING INSTRUCTIONS



TECHNICAL INFORMATION:

Rated Power:	2000W at 220-240V
Heating Element:	1 x 2kW premium low glare heating lamp
Reflector:	Mirror Aluminium (98% reflection preventing rearward heat loss)
Dimensions:	460 x 190 x75mm
Mounting position:	Wall, Ceiling, Parasol or Stand
Warm-up time:	2 seconds
Peak wavelength:	0.8µm
Weight:	2.2kg
Warranty:	2 Years (excludes lamp)
Protection:	IP65

ELECTRICAL EQUIPMENT:



Waste electrical products should not be disposed of with household waste. Please recycle where facilities exist.

IMPORTANT NOTICE TO PURCHASER:

Before utilizing the product, you should determine the suitability of the product for its intended use. HERSCHEL INFRARED LTD expressly disclaims the implied warranties and conditions of merchantability and fitness for a particular purpose. In no case shall HERSCHEL INFRARED LTD be liable under any legal theory, including but not limited to contract or strict liability, for any direct, indirect special, incidental or consequential damages resulting from product use.



The product complies with the essential requirements of European Safety Standards Low Voltage Directive 2014/35/EC, RoHS 2011/65/EC & Ecodesign 2009/125/EC.

Original instructions covering Miami 2000 produced 072019 onwards.

IMPORTANT SAFETY PRECAUTIONS

READ THESE INSTRUCTIONS CAREFULLY AND RETAIN FOR FUTURE REFERENCE.

Failure to observe these instructions will invalidate the warranty.

This unit may be a source of possible shock.

Do not disassemble. No user-serviceable parts inside.

Source of possible ignition.

WARNING

TO REDUCE THE RISK OF FIRE, ELECTRIC SHOCK OR INJURY:

1. This appliance must be disconnected from its power source during installation or service activities and when replacing.
2. Programmers, timers and other automated switching devices **MAY ONLY** be used if this heater is mounted above 1.8m.
3. When mounted on a stand (available separately) **DO NOT** use this heater in the immediate surroundings of a bath, shower or swimming pool.
4. In order to avoid overheating and potential fire hazard, **DO NOT** cover the heater. **DO NOT** cover the heater with insulating material or a similar material under any circumstances.
5. **DO NOT** touch the heater when in use. The Herschel MIAMI rises to very high temperatures in use. After the heater has been switched off let the heater completely cool down before touching it.
6. **DO NOT** use the heater if the power cord is damaged. This must be replaced by the manufacturer, its service agent or similarly qualified persons in order to avoid a hazard.
7. **DO NOT** use the heater to ignite materials. **DO NOT** operate in locations containing gasoline, flammable liquids or other volatile substances.
8. This heater must only be used for the heating of people outdoors or indoors in an unenclosed space. The MIAMI is not to be used by children or persons with reduced physical, sensory or mental capabilities, or lack of experience or knowledge, regardless of whether they have been given instruction or are under supervision. Children should be kept away and should not be left unsupervised around the unit.
9. All operators shall only switch on/off the appliance provided that it has been placed or installed in its intended normal operating position and they have been given supervision or instruction concerning use of the appliance in a safe way and understand the hazards involved. Children shall not plug in, switch on or regulate the appliance or perform user maintenance including cleaning.
10. **IMPORTANT:** If parasol mounting this heater it must not be possible to operate the heater with the parasol closed.
11. **IMPORTANT:** Ensure supply voltage does not exceed 245 volts.

SAVE THESE INSTRUCTIONS.

WATER INGRESS PROTECTION:

Herschel MIAMI is rated to a standard IP65 enabling it to be mounted outdoors and exposed to occasional rainfall. To prolong the life of the heater we recommend installing it where it will be sheltered from the effects of weather. Herschel MIAMI is not intended for installation in locations that are permanently wet or humid.

Installation in rooms such as bathrooms must be carried out by a suitably qualified installer and comply with local electrical safety requirements. Installation must be such that:

- the heater must not be able to become detached from the fittings and fall into a bathtub, shower, swimming pool or other water container;
- Switches and other controls cannot be touched by a person in a bath or shower.

If in doubt, do not install. Herschel Infrared Ltd shall not be liable for any loss, damage or injury caused or resulting from inadequate fitting or incorrect placement of heaters close to water sources.

ELECTRICAL INFORMATION:

Installation must only be carried out by competent persons or a qualified electrician according to national regulations. Wiring must be connected in accordance with the relevant national electrical safety standards and must be earthed. The electrical supply to the unit should be provided by connecting to a circuit protected by a fuse or miniature circuit breaker suitable for the electrical rating of the unit and in accordance with Table 1. An electrical plug may be added by the installer so long as both the plug and electrical supply circuit to be plugged into are appropriately rated according to the requirements of the heater in Table 1 and in accordance with local regulation. Any plug, sockets and switches intended for use outdoors must have water ingress protection

ratings as good as, or better, than the protection rating of the heater (IP65). Where two or more Miami units are used on the same circuit, Herschel recommends you use a Type C circuit breaker to handle the initial current when the heater is switched on.

Table 1. Electrical Specification

Model	Rated Power	Voltage	Current	Frequency	Fuse (Minimum)
MIAMI 2000	2000W	220-240V	8.7A	50/60Hz	13A

The mounting position of the unit must ensure that any mechanical damage to the flexible cable is unlikely. Any exposed flexible cable is to hang down (not tied UP) and must have adequate clearance from the heater to prevent scorching or damaging the cable.

Colour coding used in the supplied mains cable: BROWN wire is to be connected to LIVE ('L'), the BLUE wire to NEUTRAL ('N') and the GREEN/YELLOW wire to EARTH ('E').

MOUNTING POSITION:

The Herschel MIAMI is a shortwave infrared heater characterised by a strong beam of heat suited for use in colder areas or areas that may be subject to light winds, whilst still maintaining heating effectiveness. It is ideal for mounting on parasols and for use on patios and in restaurant or pub gardens. When used outdoors or other areas with air movement/wind, the directional Infrared spread may reduce by 1/3 to 1/2 from published figures.

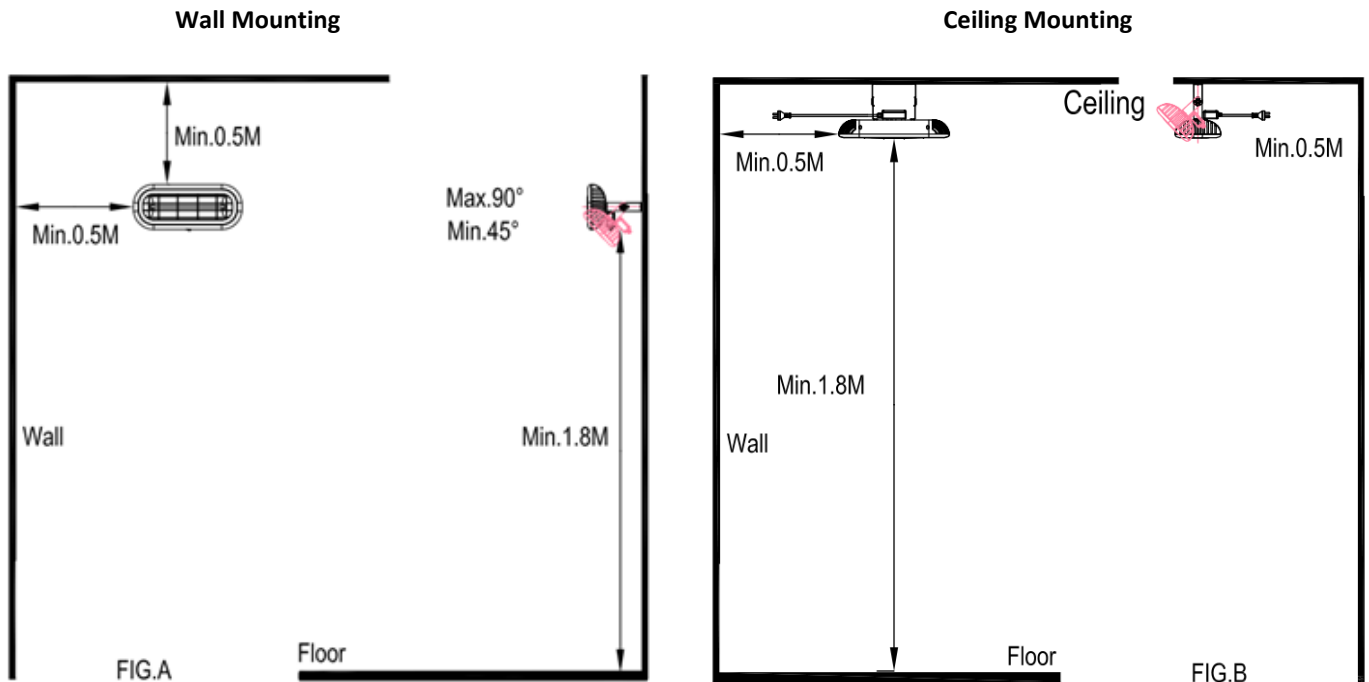
MIAMI has several mounting options including permanent wall / ceiling installation using the bracket supplied; Parasol installation using our specially designed parasol bracket (sold separately) or free-standing installation on Herschel’s heater stand (sold separately).

For all installations, the Herschel MIAMI must be located in a position to allow proper and efficient use but one that ensures hot parts are not touched accidentally. The minimum installation height of the MIAMI above the floor is 1.8m (71”). Under no circumstances is the unit to be installed at less than 1.8m (71”) from the floor. Consideration should be given to any temporary or occasional structures such as stages or platforms and adjusted accordingly.

WALL / CEILING POSITIONING:

The MIAMI can be wall or ceiling mounted. The following distances must be observed.

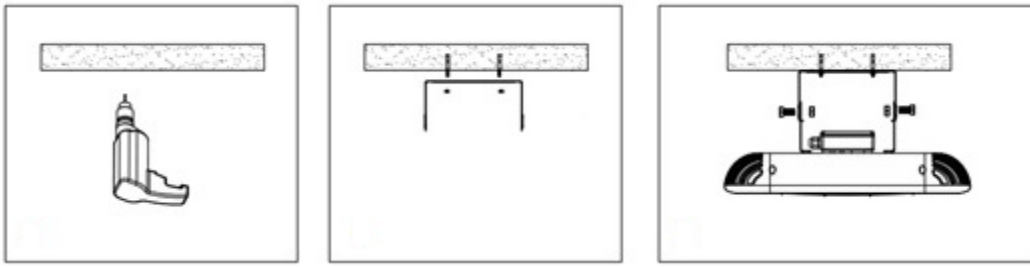
Diagram 1: Permanent Wall / Installation distances



Wall / Ceiling mounting swivel brackets are provided with the heater which have been specifically designed to establish the correct clearances at the back of the unit. Do not mount the heater with any other bracket except those provided.

The sides and ends of the heater must always be at least 500mm (20”) away from the nearest wall, ceiling or other structure.

Diagram 2: Bracket - Wall / Ceiling Installation



Use a pencil to mark two mounting holes on the wall / ceiling using the long 'U' shaped bracket supplied with the heater as a template. Drill the holes into the wall / ceiling.

Insert the anchor bolts supplied into the holes. Mount the long 'U' shaped bracket onto the threaded ends of the anchor bolts and secure tightly using the nuts and spring washers provided.

Attach the two 'L' shape brackets onto the long bracket and attach the heater onto the two 'L' shaped brackets.

PARASOL INSTALLATION:

Diagram 3: Bracket – Parasol Installation



The additional parasol bracket (sold separately) is required for parasol installation.

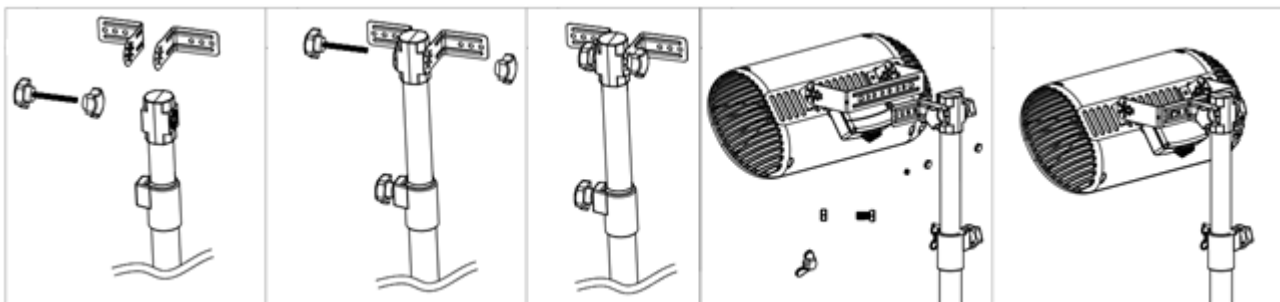
Attach the larger end of the parasol bracket directly to the back of the heater and use the clamp on the shorter end of the bracket to secure the heater to a rail on the parasol.

You can also attach the parasol clamp to the swivel bracket supplied with the heater if you require the ability to change the angle of the heater once it is installed on the parasol.

When parasol mounting, ensure all fabric is kept well clear of the heater and that it is not possible to close the parasol with the heater switched on.

FREE-STANDING INSTALLATION:

Diagram 4: Bracket – Stand installation



Herschel's patio heater stand (sold separately) is required for free-standing installation.

Attach the brackets supplied with the heater first, then attach the brackets at the top of the stand to the heater bracket.

HANDLING WHILE INSTALLING:

Take care while installing to avoid touching the grill and silver trim on the front of the heater. Be sure to wipe away any finger marks from these parts before the heater is first switched on, since the oils in fingerprints can burn and cause rapid discolouration of these parts.

CAUTION:

- Ensure mains power is OFF before commencing installation.
- The supplied mains cable must not contact the top surface of the heater during operation.
- Heater must not be located immediately below a socket outlet. Electrical connections must be made outside of the footprint of the unit to avoid heat build-up. If the heater is to be mounted on an incline (e.g. sloping roof), ensure the electrical connection is located below the lowest end of the heater.
- Joists, beams and rafters shall not be cut or notched to install the appliance.
- This heater is not intended for ceiling-recessed installation.
- The identification mark and model reference should be visible after installation.
- The MIAMI must not be attached facing or close to any combustible material (eg, wood or PVC cladding, fascia or soffit) or other materials that could blow onto the heater.
- The fixed wiring insulation coming into contact with parts with a temperature rise of greater than 50°C must be protected, for example, by sleeving having an appropriate temperature rating.
- Exercise caution when siting the heater stand that the heater cannot accidentally be touched, knocked-over or that the wire causes a tripping hazard.
- Never place the stand and heater next to a swimming pool, pond or other water source.
- Avoid touching a cold lamp with your fingers. Always wipe off finger marks if you accidentally touch the lamp. Residue from fingerprints can cause hot spots on the lamp surface and shorten the life of the lamp.

INITIAL USE:

There may be odour or vapour from the heater on initial use or if it has not been used for an extended period. This is normal.

EXTENDED USE:

Over time the grill may discolour due to high temperatures, airborne contaminants and fingerprints.

The white ceramic coating of the White MIAMI may discolour over time as a result of the action of heat and airborne pollution on the white finish.

Discolouration will not affect the performance or safety of the heater and is not a condition for warranty replacement.

USER MAINTENANCE:

Avoid touching the front grill and silver trim on the front of the heater and be sure to wipe off fingerprints from these parts.

The heater may be wiped-down with a soft damp cloth. Do not use abrasive detergents to clean the unit. In marine environments, the unit may be gently sprayed clean with clean water with the POWER TURNED OFF and completely cool. **DO NOT** use alcohol, petrol, abrasive cleaners, furniture polish or rough brushes to clean the MIAMI. This will cause deterioration to the surface of the heater. After cleaning, it is advisable to warm the heater for 10 – 20 minutes to dry the unit and prevent staining.

The lamp used in the Herschel MIAMI is long life. Changing the lamp should only be carried out by suitably qualified personnel.

DISPOSAL:

This heater is an electrical product and must not be disposed of in household waste. A high percentage of the heater can be recycled. Please treat as electrical waste and recycle in accordance with local regulations.

COMPLIANCE WITH ECODESIGN DIRECTIVE 2009/125/EC:

EcoDesign legislation does not apply to MIAMI 2000R when used outdoors, or for heating indoors in an unenclosed space where the heater is not intended to maintain a steady temperature.

If the MIAMI is intended for use indoors to maintain a steady temperature, then a Herschel iQ controller must be used to control the unit. Herschel is not responsible for any breach of EcoDesign legislation where the MIAMI is used to maintain a steady temperature indoors without use of a Herschel iQ control.

WARRANTY:



Register your product here:

<https://www.herschel-infrared.com/customer-service/warranty-registration/>

The Herschel MIAMI is guaranteed against failure due to faulty materials or workmanship for two years from date of purchase excluding the lamp. In the unlikely event of failure of the unit within this time, the unit must be returned to the supplier for repair or replacement. The guarantee is invalid if the correct installation instructions as given in this leaflet have not been adhered to. Refer to Herschel Infrared Ltd's warranty policy for full details.

See <https://www.herschel-infrared.com>.

Note your serial number for future reference: